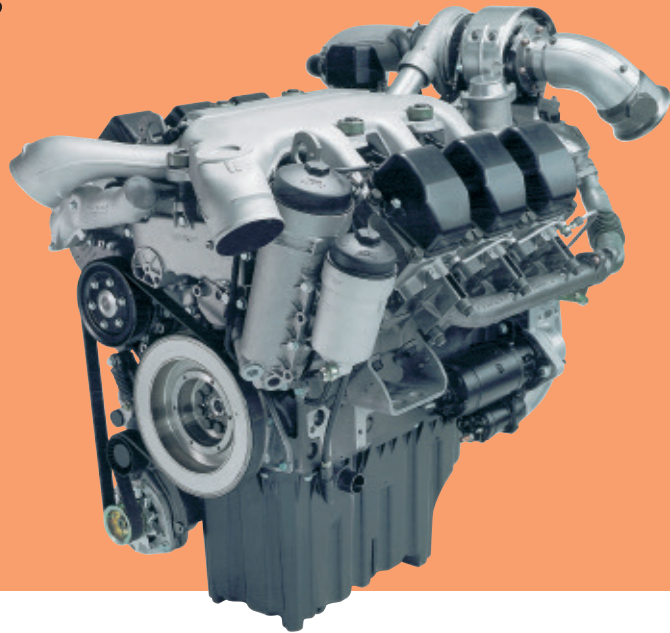


# Series 500

## for Industrial Applications



Engine Model	Rated Power (5A / 5B)			Peak Torque		
	kW	bhp	rpm	Nm	lb-ft	rpm
<b>501</b> 6 cyl./90° V	<b>260</b>	<b>349</b>	1800	1730	1275	1080
	<b>290</b>	<b>389</b>	1800	1850	1365	1080
	<b>315</b>	<b>422</b>	1800	2000	1475	1080
<b>502</b> 8 cyl./90° V	<b>330</b>	<b>442</b>	1800	2150	1585	1200
	<b>350</b>	<b>469</b>	1800	2300	1695	1200
	<b>350</b>	<b>469</b>	2000	2100	1550	1200
	<b>380</b>	<b>510</b>	1800	2400	1770	1200
	<b>420</b>	<b>563</b>	1800	2700	1990	1200
	<b>448*</b>	<b>601</b>	1800	2700	1990	1200

\*Limited release only; contact required

Fuel consumption optimised engines,

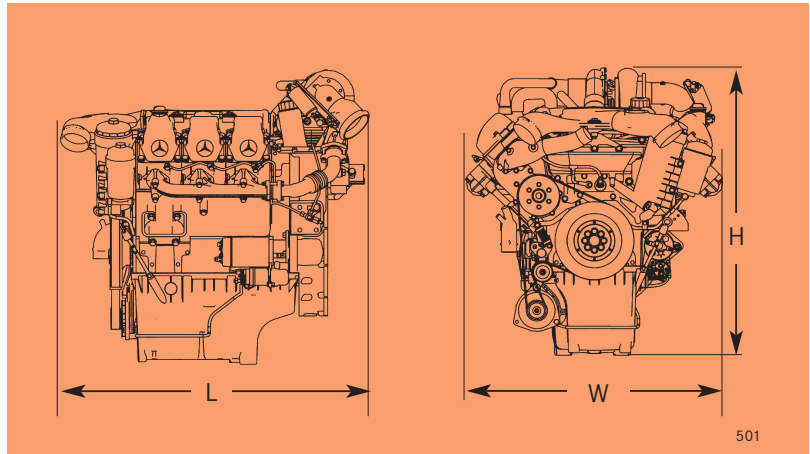
Emission standards meeting EPA Tier 2 / EU stage II

Power output within 5% tolerance at standard conditions.



# Technical Data

Engine Specification	
Rated Power	ICFN
Displacement total	
<b>501</b>	12.0 l (732 cu in)
<b>502</b>	15.9 l (970 cu in)
Description	Exhaust turbocharging Charge-air cooling High-pressure injection system with solenoid-controlled unit injection pumps Electronic engine management



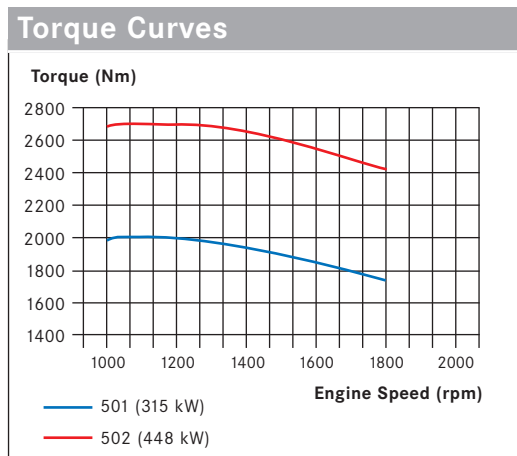
Application	Definition
<b>5A</b>	Heavy duty operation Load factor > 60%
<b>5B</b>	Medium duty operation Load factor < 60%

	Dimensions L x W x H mm (in)	Weight, dry kg (lbs)
<b>501</b>	1190 x 1020 x 1130 (47 x 40 x 44)	885 (1951)
<b>502</b>	1530 x 1195 x 1080 (60 x 47 x 43)	1125 (2480)

All dimensions are approximate; for complete information refer to the installation drawing.  
Power definition according to ISO 3046 (ratings also correspond to SAE J 1995 and SAE J 1349 standard conditions).  
Subject to change without notice.  
Customization possible.  
Engines illustrated in this pamphlet may feature options not fitted as standard to standard engines.  
Consult your MTU Detroit Diesel or MTU distributor/dealer for the rating that will apply to your specific application.

## Reference conditions:

- > Intake air temperature: 25° C (77° F)
- > Height above sea level: 100 m (328 ft)



Power output within 5% tolerance at standard conditions.

## Tognum Group Companies

### Europe / Middle East / Africa / Latin America

MTU Friedrichshafen GmbH  
88040 Friedrichshafen  
Germany  
  
Phone +49 7541 90 7004  
Fax +49 7541 90 7084  
industrialregion1@mtu-online.com  
www.mtu-online.com

### Asia / Australia / Pacific

MTU Asia Pte. Ltd.  
1, Benoi Place  
Singapore 629923  
Republic of Singapore  
Phone +65 6861 5922  
Fax +65 6861 3615  
industrialregion2@mtu-online.com  
www.mtu-friedrichshafen.com.sg

### USA / Canada / Mexico

MTU Detroit Diesel, Inc.  
13400 Outer Drive West  
Detroit, Michigan 48239  
USA  
Phone +1 313 592 3870  
Fax +1 313 592 5625  
industrialregion3@mtu-online.com  
www.mtudetroitdiesel.com