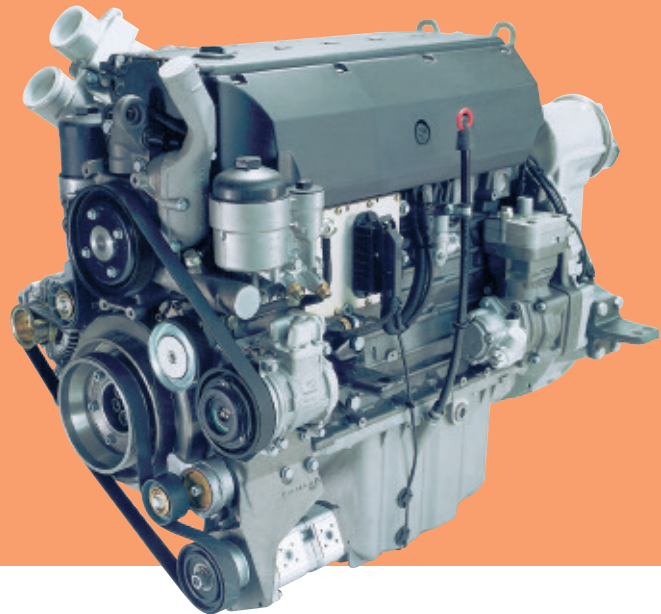


# Series 900

for Industrial Applications

EPA 3/EU III A certified



Engine Model	Rated Power (5A / 5B)			Peak Torque		
	kW	bhp	rpm	Nm	lb-ft	rpm
<b>904</b> 4 cyl. / inline	<b>75</b>	<b>101</b>	2200	400	295	1200 - 1600
	<b>90</b>	<b>121</b>	2200	470	345	1200 - 1600
	<b>110</b>	<b>147</b>	2200	580	430	1200 - 1600
	<b>129</b>	<b>173</b>	2200	675	500	1200 - 1600
<b>906</b> 6 cyl. / inline	<b>130</b>	<b>174</b>	2200	675	500	1200 - 1600
	<b>150</b>	<b>201</b>	2200	750	555	1200 - 1600
	<b>170</b>	<b>228</b>	2200	810	595	1200 - 1600
	<b>190</b>	<b>255</b>	2200	1000	735	1200 - 1600
	<b>205</b>	<b>275</b>	2200	1100	810	1200 - 1600
<b>926</b> 6 cyl. / inline	<b>220</b>	<b>295</b>	2200	1200	885	1300 - 1600
	<b>240</b>	<b>322</b>	2200	1300	960	1300 - 1600

EPA: US nonroad regulation 40 CFR part 89

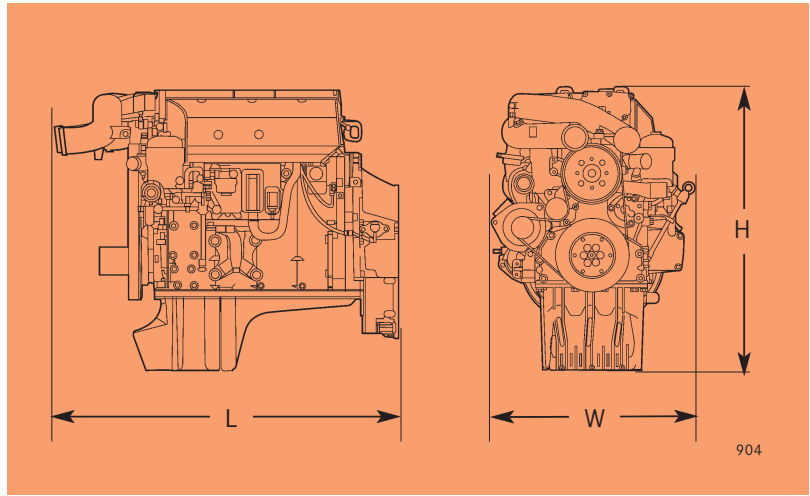
EU: Nonroad directive 97/68/EC

Power output within 5% tolerance at standard conditions.



# Technical Data

Engine Specifications	
Rated Power	ICFN
Displacement total	
<b>904</b>	4.2 l (256 cu in)
<b>906</b>	6.4 l (391 cu in)
<b>926</b>	7.2 l (439 cu in)
Description	Exhaust turbocharging Charge-air cooling High-pressure injection system with Solenoid-controlled unit injection pumps Electronic engine management



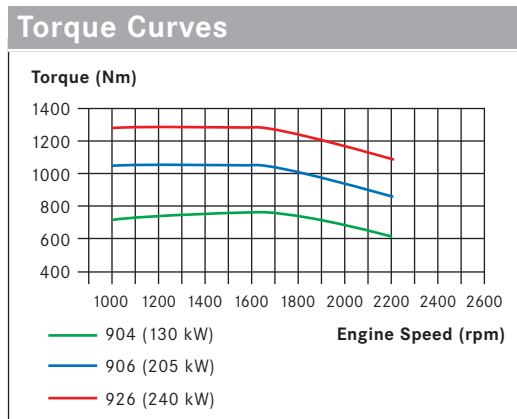
Application	Definition
<b>5A</b>	Heavy duty operation Load factor > 60%
<b>5B</b>	Medium duty operation Load factor < 60%

	Dimensions L x W x H mm (in)		Weight, dry kg (lbs)
<b>904</b>	830 x 645 x 925	(33 x 25 x 36)	395 ( 870)
<b>906</b>	1080 x 665 x 950	(42 x 26 x 37)	530 (1170)
<b>926</b>	1080 x 665 x 950	(42 x 26 x 37)	530 (1170)

All dimensions are approximate; for complete information refer to the installation drawing.  
Power definition according to ISO 3046 (ratings also correspond to SAE J 1995 and SAE J 1349 standard conditions).  
Subject to change without notice. Customization possible.  
Engines illustrated in this pamphlet may feature options not fitted as standard to standard engines.  
Consult your MTU Detroit Diesel or MTU distributor/dealer for the rating that will apply to your specific application.

## Reference conditions:

- > Intake air temperature: 25° C (77° F)
- > Height above sea level: 100 m (328 ft)



Power output within 5% tolerance at standard conditions.

## Tognum Group Companies

### Europe / Middle East / Africa / Latin America

MTU Friedrichshafen GmbH  
88040 Friedrichshafen  
Germany  
  
Phone +49 7541 90 7004  
Fax +49 7541 90 7084  
industrialregion1@mtu-online.com  
www.mtu-online.com

### Asia / Australia / Pacific

MTU Asia Pte. Ltd.  
1, Benoi Place  
Singapore 629923  
Republic of Singapore  
Phone +65 6861 5922  
Fax +65 6861 3615  
industrialregion2@mtu-online.com  
www.mtu-friedrichshafen.com.sg

### USA / Canada / Mexico

MTU Detroit Diesel, Inc.  
13400 Outer Drive West  
Detroit, Michigan 48239  
USA  
Phone +1 313 592 3870  
Fax +1 313 592 5625  
industrialregion3@mtu-online.com  
www.mtudetroitdiesel.com