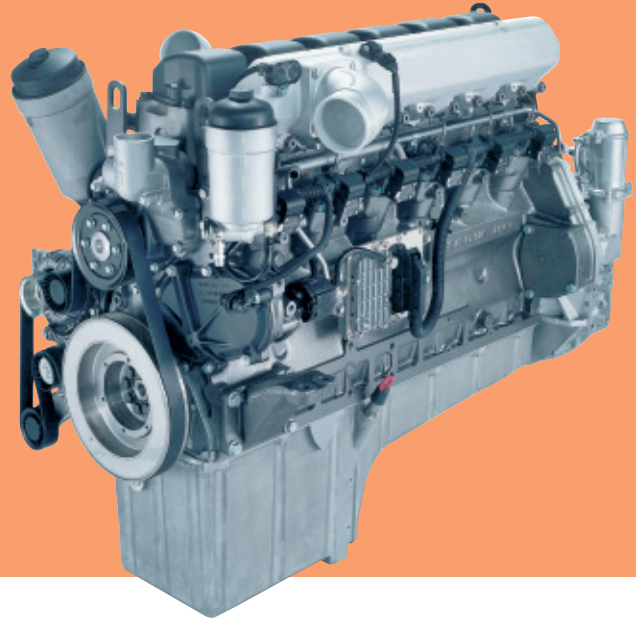


Series 457

for Industrial Applications



Engine Model	Rated Power (5A / 5B)			Peak Torque		
	kW	bhp	rpm	Nm	lb-ft	rpm
457 LA 6 cyl. / inline	242	324	1800	1600	1180	1200
	260	349	1800	1750	1290	1200
	295	396	1800	1900	1401	1200
	315	422	1800	2000	1475	1200
	335 *	449	1800	2000	1475	1200

*Limited release only; contact required

Fuel consumption optimised engines,

Emission standards meeting EPA Tier 2 / EU stage II

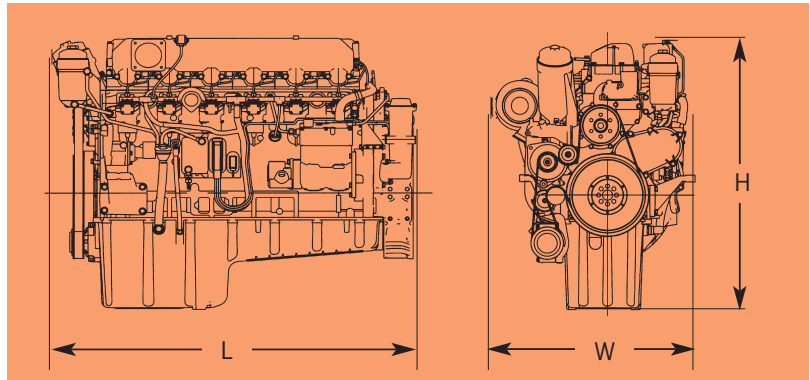
Power output within 5% tolerance at standard conditions.



Technical Data

Engine Specifications

Rated Power	IFN
Displacement total	12.0 l (732 cu in)
Description	Exhaust turbocharging Charge-air cooling High-pressure injection system with solenoid-controlled unit injection pumps Electronic engine management



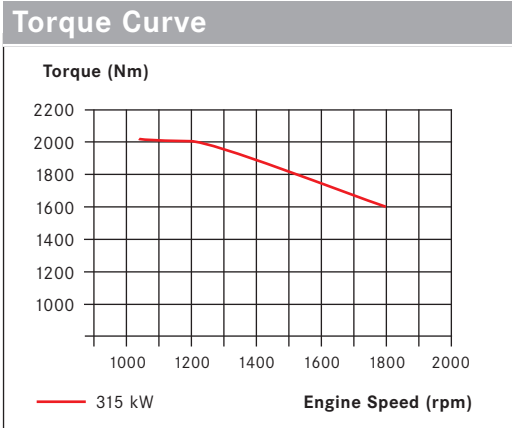
Application	Definition
5A	Heavy duty operation Load factor > 60%
5B	Medium duty operation Load factor < 60%

Dimensions L x W x H mm (in)			Weight, dry kg (lbs)
1365 x	830 x 1110	(54 x 33 x 44)	920 (2058)

All dimensions are approximate; for complete information refer to the installation drawing.
Power definition according to ISO 3046 (ratings also correspond to SAE J 1995 and SAE J 1349 standard conditions).
Subject to change without notice.
Customization possible.
Engines illustrated in this pamphlet may feature options not fitted as standard to standard engines.
Consult your MTU Detroit Diesel or MTU distributor/dealer for the rating that will apply to your specific application.

Reference conditions:

- > Intake air temperature: 25° C (77° F)
- > Height above sea level: 100 m (328 ft)



Power output within 5% tolerance at standard conditions.

Tognum Group Companies

Europe / Middle East / Africa / Latin America

MTU Friedrichshafen GmbH
88040 Friedrichshafen
Germany

Phone +49 7541 90 7004
Fax +49 7541 90 7084
industrialregion1@mtu-online.com
www.mtu-online.com

Asia / Australia / Pacific

MTU Asia Pte. Ltd.
1, Benoi Place
Singapore 629923
Republic of Singapore
Phone +65 6861 5922
Fax +65 6861 3615
industrialregion2@mtu-online.com
www.mtu-friedrichshafen.com.sg

USA / Canada / Mexico

MTU Detroit Diesel, Inc.
13400 Outer Drive West
Detroit, Michigan 48239
USA
Phone +1 313 592 3870
Fax +1 313 592 5625
industrialregion3@mtu-online.com
www.mtudetroitdiesel.com